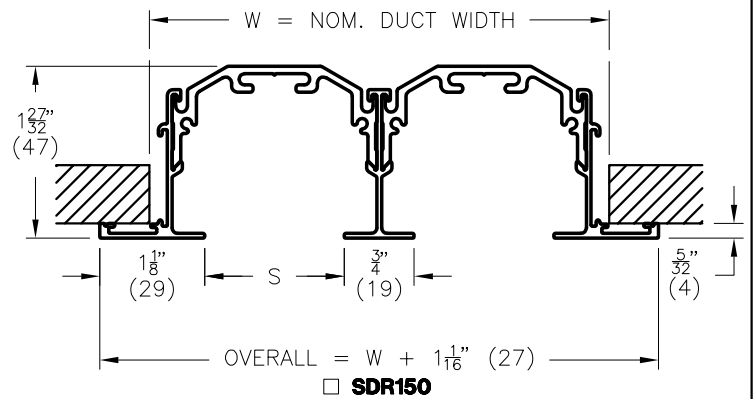
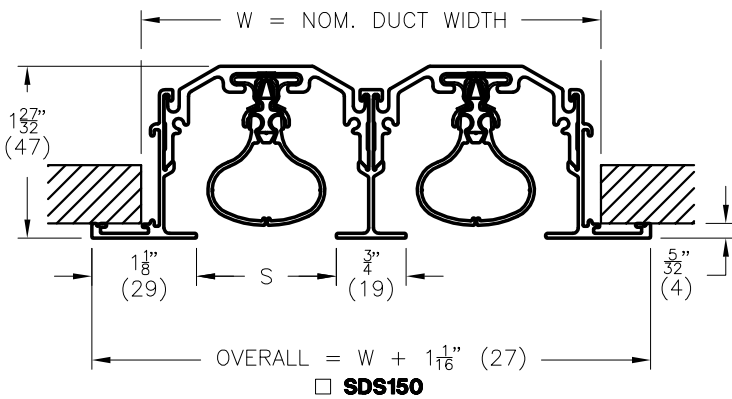
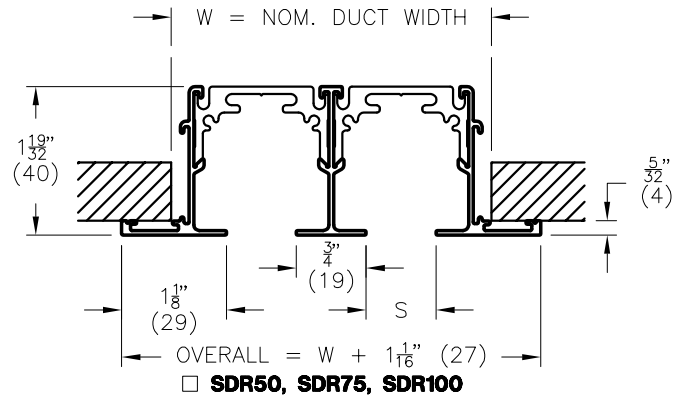
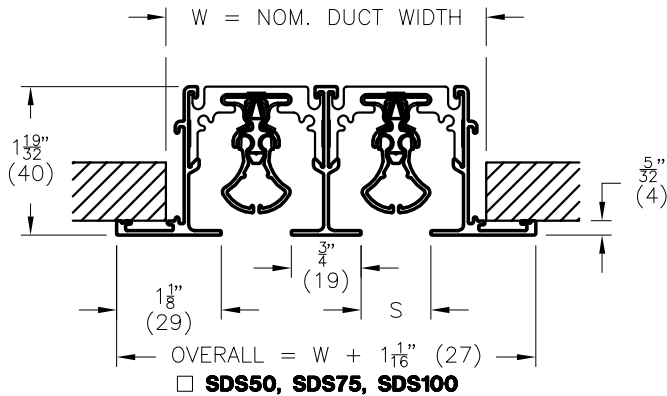


**SDS / SDR LINEAR SLOT DIFFUSER - TYPES 1 & 1B
SURFACE MOUNT APPLICATIONS**



FINISH:

- PATTERN CONTROLLERS - B17 BLACK
- DIFFUSER FACE - B12 WHITE (OPTIONAL FINISHES AVAILABLE)

MATERIAL:

- EXTRUDED ALUMINUM FRAME
- EXTRUDED ALUMINUM PATTERN CONTROLLERS ON MODELS SDS50, SDS150
- ROLLFORMED STEEL OR EXTRUDED ALUMINUM PATTERN CONTROLLERS ON SDS75, SDS100

NOTE:

- MINIMUM LENGTH 8" (203)
- MAXIMUM SECTION LENGTH 72" (1829)
- UNITS 6 SLOT AND LARGER SUPPLIED WITH 1" (25) REINFORCING ANGLES ATTACHED TO DIFFUSER
- 180° AIR PATTERN ADJUSTMENT AVAILABLE
- FOR USE WITH TYPE 2 SDB OR SDA SERIES PLENUMS, OR WITH UP / UPL PLENUMS.
- FACTORY TOLERANCE ± 1/32" (1)
- SEE INSTALLATION INSTRUCTION I100041

MODELS:

- | | |
|--------------------------|------------------------|
| SUPPLY DIFFUSERS: | RETURNS: |
| □ SDS50 - 1/2" SLOT | □ SDR50 - 1/2" SLOT |
| □ SDS75 - 3/4" SLOT | □ SDR75 - 3/4" SLOT |
| □ SDS100 - 1" SLOT | □ SDR100 - 1" SLOT |
| □ SDS150 - 1 1/2" SLOT | □ SDR150 - 1 1/2" SLOT |

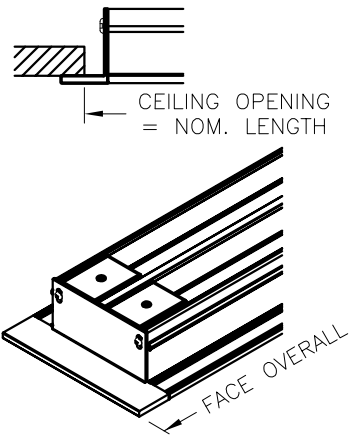
ALL METRIC DIMENSIONS () ARE SOFT CONVERTED. IMPERIAL DIMENSIONS ARE CONVERTED TO METRIC AND ROUNDED TO THE NEAREST MILLIMETER.

PROJECT:		PRICE [®]
ENGINEER:		
CUSTOMER:		<i>MJ</i>
SUBMITTAL DATE:		235043
SPEC. SYMBOL:		2013/08/30
SDS / SDR TYPE 1 & 1B SURFACE MOUNTED LINEAR DIFFUSER		

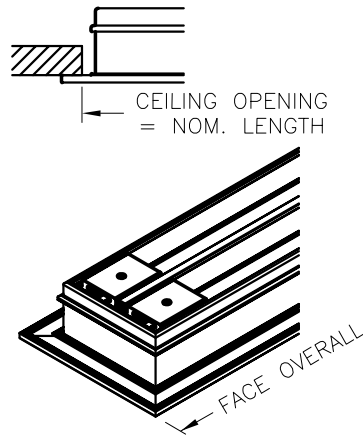
**SDS / SDR LINEAR SLOT DIFFUSER - TYPES 1 & 1B
SURFACE MOUNT APPLICATIONS**

END CONDITIONS:

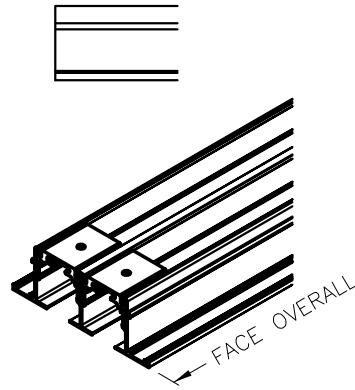
W - FLANGE END



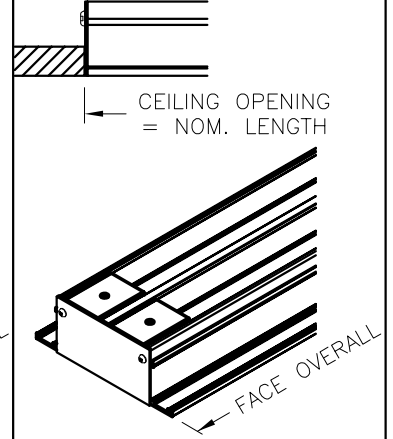
X - MITRED END



Y - OPEN END
FOR SPLICING TOGETHER
MULTIPLE SECTIONS



Z - FLUSH END CAP



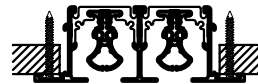
SCREWHEADS EXTEND 1/8" (3) BEYOND
OPENING DIMENSION ON Z ENDS

END CONDITION	FACE OVERALL LENGTH
W-W	NOM. LENGTH + 1" (25)
W-Y	NOM. LENGTH + 1/2" (13)
X-X	NOM. LENGTH + 7/8" (22)
X-Y	NOM. LENGTH + 7/16" (11)
Y-Y	NOM. LENGTH
Y-Z	NOM. LENGTH
Z-Z	NOM. LENGTH

MOUNTING:

TYPE 1
WITH SCREW MOUNTING

TYPE 1B
FASTENING BY OTHERS



SLOTS	W			
	SDS50	SDS75	SDS100	SDS150
1	1 1/16" (43)	1 5/16" (49)	2 3/16" (56)	2 1/16" (68)
2	2 15/16" (75)	3 7/16" (87)	3 15/16" (100)	4 5/16" (125)
3	4 3/16" (106)	4 15/16" (125)	5 11/16" (144)	7 3/16" (183)
4	5 7/16" (138)	6 7/16" (164)	7 7/16" (189)	9 7/16" (240)
5	6 11/16" (170)	7 15/16" (202)	9 3/16" (233)	11 1/16" (297)
6	7 15/16" (202)	9 7/16" (240)	10 15/16" (278)	13 15/16" (354)
7	9 3/16" (233)	10 15/16" (278)	12 11/16" (322)	16 3/16" (411)
8	10 7/16" (265)	12 7/16" (316)	14 7/16" (367)	18 7/16" (468)
9	11 11/16" (297)	13 15/16" (354)	16 3/16" (411)	20 1/16" (525)
10	12 15/16" (329)	15 7/16" (392)	17 15/16" (456)	22 15/16" (583)

NOTE: UP / UPL OR SDB / SDA PLENUM WIDTH IS 5/16" (8) WIDER THAN
CEILING OPENING "W" INDICATED. PLENUM TO BE MOUNTED ABOVE CEILING.

ALL METRIC DIMENSIONS () ARE SOFT CONVERTED. IMPERIAL DIMENSIONS ARE CONVERTED TO METRIC AND ROUNDED TO THE NEAREST MILLIMETER.

PROJECT:		PRICE [®]
ENGINEER:		
CUSTOMER:		235043
SUBMITTAL DATE:	SPEC. SYMBOL:	2013/08/30

SDS / SDR
TYPE 1 & 1B
SURFACE MOUNTED
LINEAR DIFFUSER